

MF 5700 M

95–135 HP

STRAIGHTFORWARD
EFFICIENCY



MASSEY FERGUSON



MF 5700 M

SETTING A NEW STANDARD FOR STRAIGHTFORWARD EFFICIENCY

Massey Ferguson takes pride in developing innovative and practical machines to meet the continuing challenges of sustainable farming.

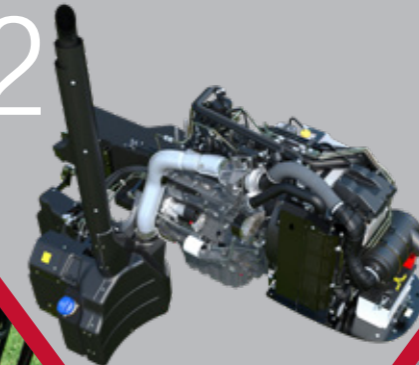
The new MF 5700 M Series builds on this renowned legacy, delivering high performance and efficiency, while retaining the fundamental values of robust, easy operation, dependability and low cost of ownership.

With their strong, straightforward design and a choice of powers from 95 hp to 135 hp, these new tractors are versatile workhorses. As well as making the perfect loader partner, they have the power and features to also excel in the field with automated functions easing the workload on operators while increasing performance.



THE POWER TO TACKLE ANY TASK

12



THE PERFECT LOADER PARTNER

24



14 TOP TRANSMISSIONS

22 HYDRAULIC SYSTEM



06

THE MOST WELCOMING WORKPLACE

- Your MF 5700 M At A Glance..... 4
- The Most Welcoming Workplace – The Cab Environment..... 6
- The Best Working Conditions 8
- Comfort Guaranteed..... 10
- The Power To Tackle Any Task..... 12
- Top Transmissions 14
- 12x12 Transmission 16
- Dyna-4 Transmission 18
- Power Any Implement 20
- Hydraulic System 22
- Operate Your Loader The Massey Ferguson Way 24
- Made to Maximise Uptime 26
- Parts & Service 28
- Make the MF 5700 M as individual as your farm – Options & Specifications 32

YOUR MF 5700 M AT A GLANCE

WITH THIS NEW AND STRAIGHTFORWARD RANGE, MASSEY FERGUSON OFFERS A HIGHLY MODERN, HIGH PERFORMANCE, HEAVY DUTY TRACTOR THAT DELIVERS EXCEPTIONAL EFFICIENCY FOR EVERY TYPE OF FARMER.

Five new four-cylinder MF 5700 M Series tractors provide a choice of a superbly engineered 12x12 gearbox or the renowned Dyna-4 transmission. With up to 5.2 t lift capacity, it is ideally suited to a wide range of field work as well as loader operations and transport.

All are equipped to a high specification, with a host of modern features and are available with a range of options and accessories.

WITH 5 MODELS TO CHOOSE FROM, THE MF 5700 M SERIES IS ALWAYS THE BEST CHOICE.

	MF 5709 M	MF 5710 M	MF 5711 M	MF 5712 M	MF 5713 M
Engine	AGCO Power – Stage V – All-in-One technology				
Engine capacity	4 cylinder, 4.4 litre				
Transmission	Dyna-4	12x12 or Dyna-4		12x12	
Max power @ 2,000 rpm (hp)	95	105	115	125	135
Max torque @ 1,500 rpm (Nm)	406	435	455	520	540

Options expand versatility

- ▶ Many useful options for the MF 5700 M Series include a factory-fitted loader subframe, which is specifically designed for easy mounting of the MF loaders to all models.
- ▶ To further ease loading tasks, add the Visio Roof for perfect overhead visibility.

Low operating costs

- ▶ 'All-in-One' Stage V SCR system cuts ownership costs and improves visibility
- ▶ Easy access for daily maintenance
- ▶ MF Care repair and maintenance contract schemes.



Spacious, comfortable and ergonomic workplace

- ▶ All MF 5700 M tractors are equipped with a sector-leading, high quality cab, offering excellent visibility, an ergonomically designed layout and a high level of comfort thanks to the mechanical suspension option.

Built for hard work

- ▶ The MF 5700 M Series is equipped with modern, rugged rear axles. The robust three point linkage, with Electronic Linkage Control, offers an impressive maximum lift capacity of up to 5,200 kg, enabling them to handle demanding equipment.

The key to efficient and effective operations

- ▶ The MF 5700 M Series is equipped with powerful and modern hydraulics, which allow it to easily handle and operate a wide range of modern implements
 - ▶ Plenty of hydraulic flow and power is delivered by the straightforward open-centre, two gear pump system. One pump supplies 32 litres/min to the internal circuits, while the other delivers 58 litres/min to the up to 5,200 kg capacity electronically-controlled rear linkage
 - ▶ An optional 100 litres/min combined flow system meets the highest hydraulic demands, such as for loader work.
- Top transmissions offer optimum control**
- ▶ Modern and cost-effective 12x12 transmission transmits power efficiently and effectively, helping to save fuel
 - ▶ Dyna-4 provides 16 forward and 16 reverse speeds, with four change-on-the-move powershift speeds in four ranges to deliver class-leading, simple and convenient control.

VIRTUAL REALITY



USE YOUR SMART PHONE TO STEP INSIDE THE MF 5700 M



◀ STEP 1

Use a QR code reader app. Download it for free from App Store or the Google Play Store.



◀ STEP 2

Open the app and scan this QR code...



◀ STEP 3

...and step inside your Massey Ferguson tractor.

Live the eXperience in 2D, moving your smartphone around in all directions or using your fingers.



◀ STEP 4

Live the full VR 3D Experience by clicking on the dedicated icon and use in combination with a pair of VR glasses.



THE MOST WELCOMING WORKPLACE

With its sector-leading, high quality and spacious cab, the MF 5700 M Series offers the comfort and ease of use to make hard work a pleasure.

SECTOR LEADING SPACE, COMFORT AND VISIBILITY

Setting a new standard for this tractor sector, the MF 5700 M Series cab offers unrivalled space, comfort and all-round visibility.

Safe, easy access steps lead into the cab through wide-opening doors. The most spacious operator environment in the sector, it has a pillar-to-pillar width of 1,300 mm and a flat floor with car-style pedals, providing plenty of floor space.

Sitting comfortably, operators will find the ergonomically designed layout ensures ease of use with straightforward operation from features seldom found in this tractor sector. With its modern design, the MF 5700 M provides high levels of control and automation with electro-hydraulic activation of the four-wheel drive and the diff-locks.

On Dyna-4 models, the cab suspension option further enhances comfort, greatly increasing operator well-being during long working days. The mechanical system uses two silent block bushes to support the cab at the front and spring-assisted shock absorbers on the rear corners.

Air conditioning is an option on all models.



THE LARGEST CAB ON THE MARKET – externally compact yet exceedingly roomy inside with wide access on both sides



UNRIVALLED 360° VISIBILITY for optimum comfort and safety at work



BEST IN CLASS ERGONOMICS everything you need is exactly where you would expect it to be. All controls are at your fingertips, enabling precise and easy operations.

THE BEST WORKING CONDITIONS

12x12 TRANSMISSION MODELS

Comfort and convenience are top priorities for all operators spending long, hard-working days in the cab. Clever, ergonomic design ensures the cab interior is practical and comfortable and comes with the option of air conditioning.

All controls are clustered together on the sculpted right-hand-side console where they are easy to reach and operate, while a new digital dashboard displays essential information. It's all arranged so that your long, hard days are productive, but less tiring.



12x12 VERSION

Advanced Dashboard

Clear, bright instruments sit within a slim dashboard and show essential operating information. The Advanced Dashboard displays engine and PTO speeds, service intervals, fuel consumption, distance travelled, area worked, oil temperature, tractor hours, engine speed memory and service information.

Powershuttle

The Powershuttle - available as standard - allows clutching and shuttling at your fingertips with Comfort Control allowing you to set shuttling aggressiveness at your convenience - ideal for loader work.

Unrivalled all-round visibility

The sector-leading, high quality cab on the MF 5700 M offers excellent visibility through the large windscreen, wide glass doors and curved quarter windows. The great view over the bonnet is maintained thanks to the compact 'All-in-One' SCR system, tucked neatly under the cab, where it maintains the perfect all-round visibility for optimum work quality and safety. The Visio Roof option further improves vision for loader operations.

All in the right place

The right-hand pillar houses less frequently used switches that are still an integral part of the working day. Here you will find the work lights, the rear windscreen wiper, the ELC panel and the starter key.

Loader joystick

Optional integrated mechanical loader joystick.

Spool valves
Up to three valves handle most operations

Differential lock and 4 wheel drive switches

PTO activation switch

Hand throttle

Linkage depth control

Engine memorise speed

Electronic linkage control

Gear and range levers

Latest automotive technology makes shifting gears as smooth and easy as in your car.

COMFORT GUARANTEED

DYNA-4 TRANSMISSION MODELS

MF 5700 M Series tractors equipped with Dyna-4 transmissions are fitted with the sector's leading, high quality cab, which offers unrivalled visibility through wide glass doors and curved quarter windows.

Equipped to a high level as standard, Dyna-4 models also come with a range of comfort-enhancing options including air conditioning, and mechanical suspension.

Operators will also benefit from other standard features, such as brake to neutral, which automatically disengages drive when the brakes are applied.

Clever cab controls make the MF 5700 M Dyna-4 excellent loader tractors. Shuttling between forward and reverse is easy thanks to the standard Powershuttle or Power Control levers, while there's perfect visibility throughout the lift range from the optional Visio Roof.



DYNA-4 VERSION

The Advanced Dashboard displays engine and PTO speeds, service intervals, fuel consumption, distance travelled, area worked, oil temperature and tractor hours, engine memorised speed and service information.

Easy shuttling
The Power Control lever offers fingertip control direction changes.

Unrivalled 360° visibility
The large window ensures optimum efficiency and safety. The compact 'All-in-One' SCR system offers the driver 360° visibility for optimum comfort and safety at work.

All in the right place
The right-hand pillar houses less frequently used switches that are still an integral part of the working day. Here you will find the work lights, the rear windscreen wiper, the ELC panel and the starter key.

Loader joystick
Optional integrated mechanical loader joystick.

Spool valves
Up to three valves handle most operations

Hand throttle

Differential lock and 4 wheel drive switches

PTO activation switch

Linkage depth control

Engine memorise speed
Engine speed memory

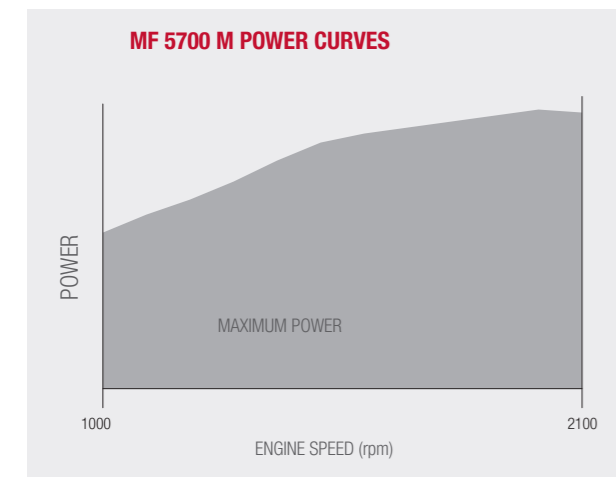
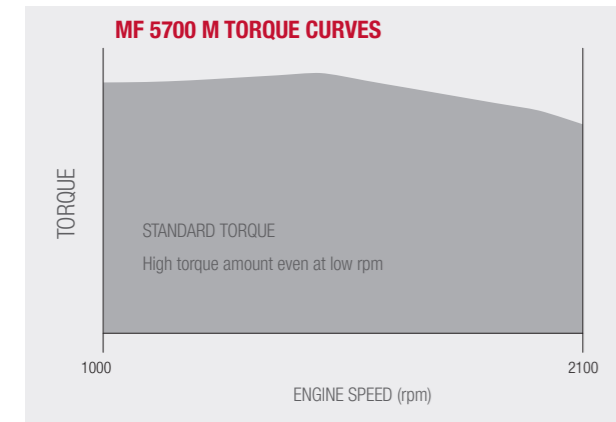
Electronic linkage control

Right-hand T-lever
Simply move the T-lever forwards or back to shift up and or down through the four Dynashift steps. Change ranges easily with a press of the range selection button while moving the lever.



THE POWER TO TACKLE ANY TASK

Renowned for its rugged reliability and fuel economy, the 4.4 litre AGCO Power four-cylinder engine is the heart of the MF 5700 M Series. Delivering 95 hp to 135 hp it meets the strictest Stage V emissions regulations thanks to its award-winning All-in-One system.



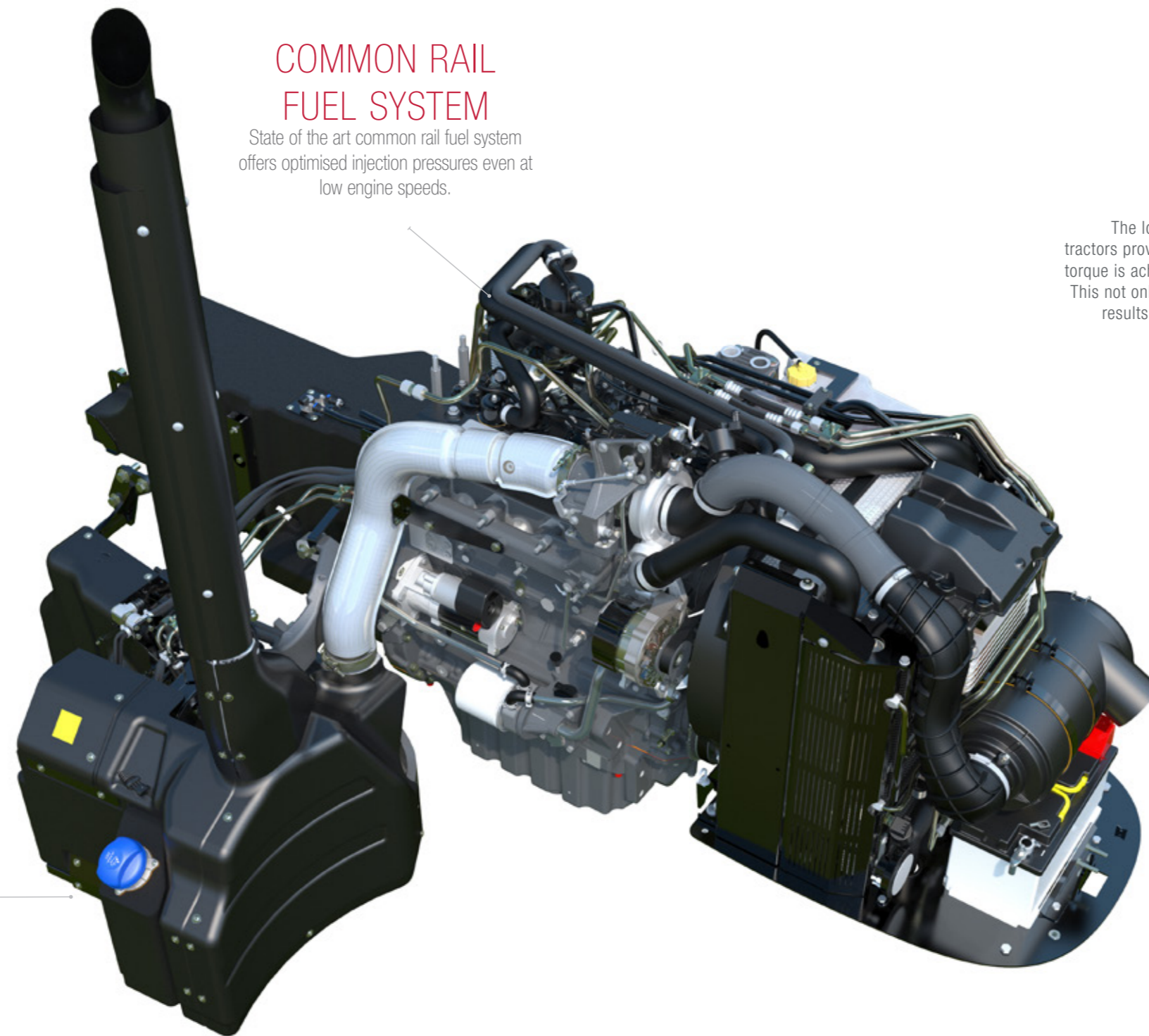
UNRIVALLED VISIBILITY

With the compact "All-in-One" system tucked neatly under the cab, it maintains the perfect all-round visibility for optimum work quality and safety.



COMMON RAIL FUEL SYSTEM

State of the art common rail fuel system offers optimised injection pressures even at low engine speeds.



FRUGAL ON FUEL LOW ON NOISE

The long stroke design of the engines powering the MF 5700 M Series tractors provides high levels of torque across a broad speed range. Maximum torque is achieved at low engine speeds of just 1,500 rpm across all models. This not only cuts fuel consumption, but also reduces noise and wear, which results in lower running costs and a more pleasant operator experience.



"ALL-IN-ONE" SCR TECHNOLOGY

The 'All-in-One' system only needs an occasional 'regeneration', which doesn't require separate diesel injection system or extra fuel. The driver is in total control of the process, choosing when to operate the system using a switch in the cab.

ADBLUE® TANK*

The AdBlue® tank can be filled with ease at the same time as refuelling.

TOP TRANSMISSIONS OFFER OPTIMUM CONTROL

Massey Ferguson's highly regarded Dyna-4 transmission is standard on the MF 5709 M model and is an option on the MF 5710 M and MF 5711 M.

Dyna-4 provides 16 forward and 16 reverse speeds, with four change on the move powershift speeds in four ranges, which deliver class-leading, simple and convenient control. A left-hand Power Control lever or T-lever on the right-hand console makes operation simple and easy.

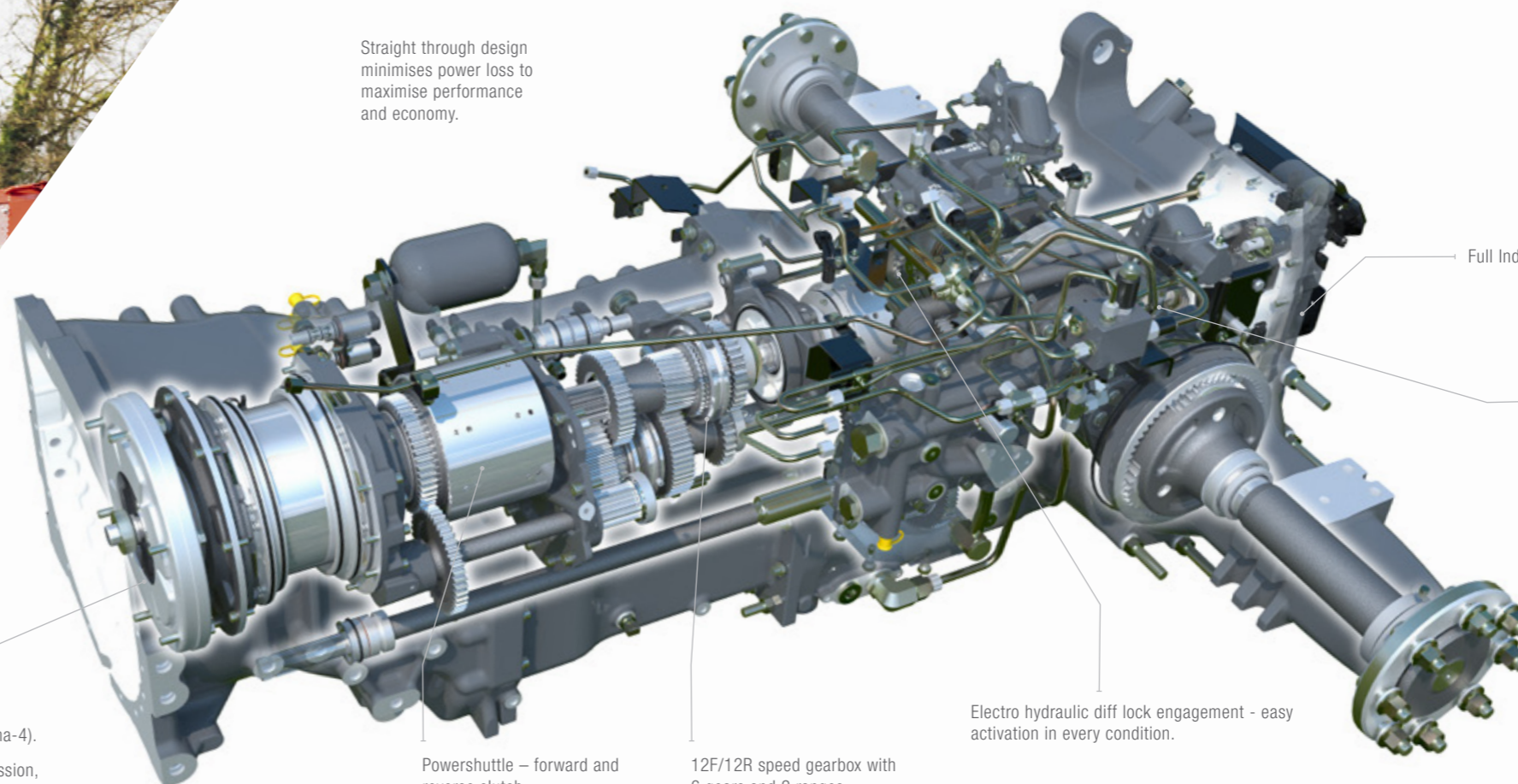
Brake to neutral is also an option on the synchronised 12x12 mechanical gearbox. Developed specifically by Massey Ferguson for these tractors, this modern, robust gearbox offers car-like smooth shifting with hydraulic assistance.



DRIVELINE INSPIRED ENGINEERING

Straight through design minimises power loss to maximise performance and economy.

Hydraulic PTO clutch ensures simple operation and long life.



Full Independent PTO.

Exceptionally strong rear axle with heavy duty epicyclics and reliable rear linkage with ELC (Electronic Linkage Control) guarantees safe operation even under the severest loads.

Transmission 12x12 or 16x16 (Dyna-4).
Modern and cost effective transmission, low power absorption giving great efficiency and excellent fuel savings. Under pressure gearbox lubrication reduces drag and friction.

Powershuttle – forward and reverse clutch.

12F/12R speed gearbox with 6 gears and 2 ranges.
16F/16R Dyna-4 with 4 gears and 4 powershift ratios.

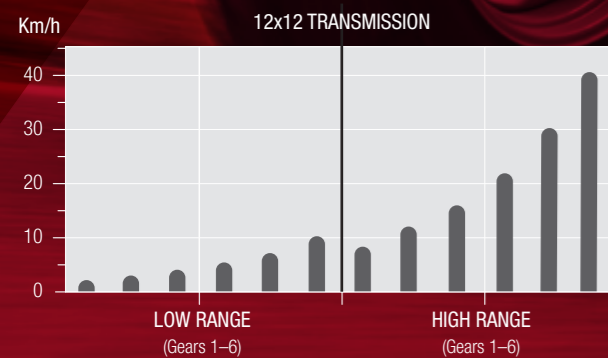
Electro hydraulic diff lock engagement - easy activation in every condition.



12x12 TRANSMISSION

EFFICIENT AND EASY TO USE

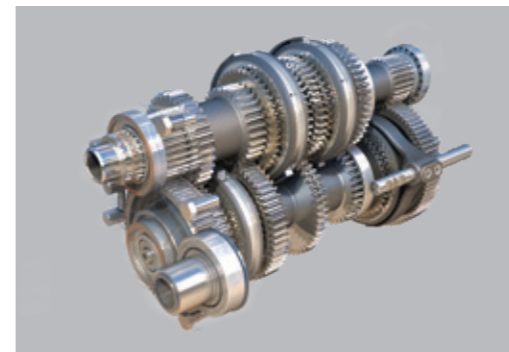
The new MF 5710 M, MF 5711 M, MF 5712 M and MF 5713 M tractors are available with a modern and highly efficient synchronised transmission, which transmits power efficiently and effectively, helping to save fuel.



▶ 40 km/h Normal Max Speed
16.9-30 Rear tyres

▶ 6 gears in main field range
from 4 to 12 km/h

This **synchronised transmission** provides a total of twelve forward and twelve reverse speeds courtesy of two ranges. Six gears are within the 7-15 km/h typical fieldwork range, while maximum speed is 40 km/h.



The **Easy Shift** button on the gear lever enables gears to be changed without using the clutch pedal.



The **Powershuttle** provides fingertip control for forward and reverse shifting, without using the clutch pedal.

The **Comfort Control** dial enables the rate of clutch engagement to be adjusted to suit different circumstances.



A **Super Creeper option** is also available to provide the slowest working speeds, down to 140 m/h (at 1,400 rpm with 16.9R34 tyres), to suit all tasks.



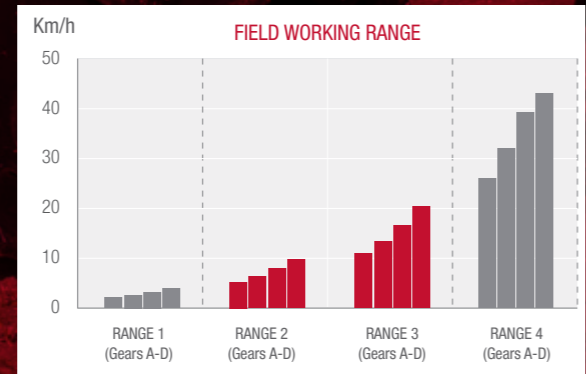
Activating the **Brake-to-Neutral function** simultaneously operates the clutch as soon as the brake pedal is pressed.

DYNA-4 TRANSMISSION

ALWAYS THE RIGHT OPTION

Dyna-4 benefits are:

- ▶ Exceptional performance in the yard, field or on the road – 16 forward and 16 reverse speeds on one lever, all shifted without using the clutch. Speedmatching selects the best dynashift ratio when shifting range
- ▶ Ultimate ease of use with left-hand Power Control lever or T-Lever
- ▶ Convenient loader operation, with Comfort Control to set smooth or rapid shuttling
- ▶ Brake pedal puts transmission in neutral
- ▶ Eco-mode to drive at 40 km/h at 1880 rpm.



Massey Ferguson offers the highly regarded **Dyna-4 transmission** as standard on the MF 5709 M model and is offered as an option on the MF 5710 M and MF 5711 M.

This transmission delivers unrivalled productivity, control and convenience, with completely clutchless shifting of 16 forward and 16 reverse speeds.

Smooth or quick shuttling – you choose by simply adjusting the **Comfort Control** to suit the job – slow and smooth or fast and efficient.

Close control in specialist low-speed tasks is assured with **additional creeper gears**, enabling forward speeds as low as 100 m/h to be achieved.



The exclusive **Power Control** lever provides convenient three in-one, straightforward operation. Operators can shuttle between forward/reverse or select neutral, leaving the right hand free to operate the loader or implement hydraulics.

AutoDrive (option) provides automatic shifting and operates in two modes:

- ▶ AutoDrive Power mode: Powershift changes at 2,100 rpm
- ▶ AutoDrive Eco mode: Powershift changes at 1,700 rpm

Brake to Neutral switch (option) simultaneously operates the clutch as soon as the brake pedal is pressed. This eases the load on the operator, while increasing efficiency and convenience and is particularly useful for loader operations.

Simply move the **T-shaped transmission control lever** forwards or backwards to change up or down through the four Dynashift ratios. To change range, simply press the range selection button as you move the lever.

POWER ANY IMPLEMENT FOR ANY APPLICATION

The key to efficient and effective operations is to select a tractor that can easily handle modern equipment and operate them at their full potential in a wide range of agricultural applications.



“ The key to increasing productivity is to select a tractor that can deliver the best performance from today’s and tomorrow’s modern implements to ensure they deliver their full potential within a wide range of applications. ”



SIMPLE AND EFFICIENT HYDRAULIC SYSTEM

A STRAIGHTFORWARD, OPEN-CENTRE HYDRAULIC SYSTEM is powered by two gear pumps. One provides 32 litres/min to all the internal services, while another delivers 58 litres/min to the electronically-controlled rear linkage, enabling it to lift up to 5,200 kg.

As an option, at the press of a button the MF 5700 M Series hydraulics can deliver 100 litres/min oil flow, making the higher flowrate available to provide extra speed and power for loader operations.



External fender controls makes it convenient for lifting/lowering of the rear linkage when attaching or detaching rear-mounted implements.



Up to
3
auxiliary spool valves
2 valves as standard, with
a 3rd as an option.



Up to
5,200 KG
Boasting an impressive lift capacity of 4,300 kg, on the MF 5709 M, MF 5710 M and MF 5711 M models, and 5,200 kg on the MF 5712 M and MF 5713 M models, the rear linkage handles heavy-mounted equipment with ease. The MF 5700 M series benefits from the industry-leading Electronic Linkage Control (ELC) system.



Up to
2,500 KG
A front linkage option, available for MF 5700 M Dyna-4 models, enables you to combine implements to help increase productivity. Standard linkage suspension improves comfort and can be set to three different positions: fixed, float or transport.



Up to
3-SPEED PTO
A two-speed 540/540 E rpm is standard on the MF 5700 M Series, but all models also have the option of a 540/1,000 rpm speed PTO, or a 540/540 Eco/1,000 rpm. A 21-spline shaft is an option with the 1,000 rpm PTO. Control is via a modern independent PTO (IPTO) clutch, which is engaged electro-hydraulically and 'eases' the engagement to protect the driveline by gradually taking up the drive. This well-proven control system combines upmost reliability with ease of use and is controlled simply using a three-position rocker-switch on the operator station.

RUGGED REAR AXLE



THE HEAVY DUTY, STRUCTURAL AXLE CASTING DESIGN CONTAINS NEW INBOARD REDUCTION UNITS, which employ epicyclic gears for the final speed reduction. These amplify torque to ensure maximum engine power is transmitted to the ground for the upmost traction and performance.

All models are equipped with oil-immersed multi-disc brakes, mounted at the in-board side of the axle for the highest braking efficiency on the shafts.

OPERATE YOUR LOADER THE MASSEY FERGUSON WAY



All MF 5700 M tractors can be specified fully loader-ready, complete with a subframe ready for easy mounting of an Massey Ferguson MF FL and FLX loader. Designed to become an integral part of the machine, the subframe maintains maximum manoeuvrability and easy access for maintenance. Dyna-4 models can also be ordered with a factory-fitted subframe complete with your choice of MF loader ready installed.

In addition, an optional mechanical loader joystick, specifically designed to operate MF loaders, offers comfortable, easy and straightforward control.

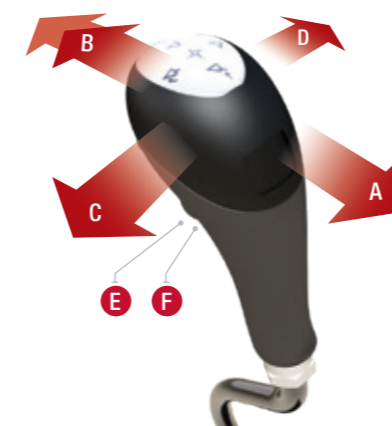
Model	NON SELF LEVELLING				SELF LEVELLING							
	FL.3721X	FL.3922X	FL.3723	FL.4125	FL.3717X	FL.3919X	FL.3819	FL.3823	FL.4018	FL.4121	FL.4220	
Maximum lift height - measured at pivot pin	m	3.7	3.9	3.79	4.06	3.7	3.9	3.79	3.79	4.02	4.06	4.2
Maximum dump angle at maximum height	deg	49	46	58	56	49	46	58	58	54	57	54
Maximum rollback angle at ground level	deg	42	43	43	43	42	43	58	58	60	58	58
Lift capacity to maximum height - 800 mm pivot pin	kg	1,010	1,080	1,290	1,300	1,590	1,680	1,920	2,260	1,780	1,980	1,930
Lift capacity to 1,5 m height - 800 mm pivot pin	kg	1,520	1,670	1,720	1,870	1,710	1,890	1,940	2,280	1,820	2,100	2,020
Breakout force - 800 mm pivot pin	kg	1,770	1,960	1,850	2,070	1,850	2,080	1,990	2,320	1,910	2,290	2,160
Rollback force at ground level - 800mm from pivot pin	kg	2,300	2,760	3,420	4,030	2,280	2,740	3,360	3,360	3,400	3,370	3,420
Digging depth	mm	150	150	160	160	150	150	160	160	180	160	160

THE PERFECT LOADER PARTNER

- ▶ Mechanical loader joystick option is designed specifically for use with these tractors
- ▶ Comfort Control allows operators to set how it responds – slow and smooth – or fast and efficient
- ▶ Brake to Neutral allows operators to engage neutral whenever the brakes are depressed. So, it enhances and eases loader operation as operator needs to use just one pedal to brake and de-clutch at the same time
- ▶ Operators benefit from superb visibility thanks to the slim bonnet and dash profiles
- ▶ Optional Visio Roof improves the view of the load throughout the lifting range with Falling Object Protection (FOPS)
- ▶ A flexible range of loaders for a wide variety of applications
- ▶ All models available with factory-fitted loader subframe option for optimum performance from your all-purpose tractor
- ▶ Dyna-4 models are available with factory-fitted subframe, plus choice of MF loader installed
- ▶ High hydraulic flow: standard 58 litres/min and up to 100 litres/min combined flow option
- ▶ Excellent manoeuvrability including tight turning angles and rapid response from engine and hydraulics
- ▶ Optimum and easy access to maintenance operation



LOADER JOYSTICK



LOADER OPERATION

- Joystick main functions:
- A. Lift
 - B. Lower
 - C. Fill
 - D. Dump
 - E. 3rd function
 - F. Loader suspension

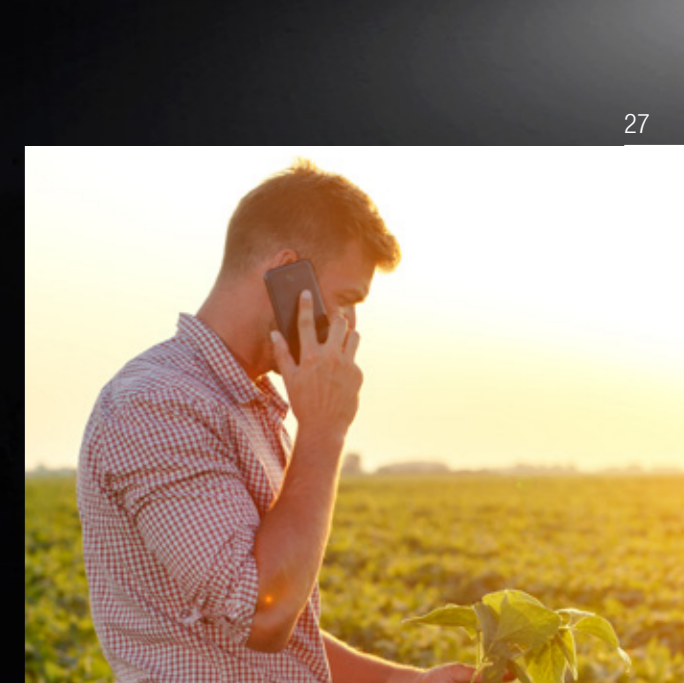


MADE TO
**MAXIMISE
UPTIME**

ENHANCED TRACTOR
OWNERSHIP EXPERIENCE &
COMPLETE PEACE OF MIND



“Uptime is critical for my business efficiency”



MFcare

FIX YOUR COSTS AND GUARANTEE OPTIMUM PERFORMANCE FOR YOUR MF 5700 M WITH MF CARE.

MF Care Service and extended warranty contracts are flexible to suit your payment and operating hours requirements. Regular servicing provides preventive maintenance – picking up any faults before they become a problem, which helps reduce downtime. A full dealer service history using genuine AGCO Parts will also increase the residual value of the machine.

- ▶ Support maximum residual value of your tractor
- ▶ Flexible terms and long-term price packages
- ▶ Available up to 12 months from registration
- ▶ Experienced MF technicians available for on or off-site servicing

	SILVER	GOLD
DETAILS	REGULAR MAINTENANCE CONTRACTS The Service Package includes all prescribed maintenance work on the basis of fixed prices.	REPAIR CONTRACTS Extended warranty contracts which offer security against repair costs (except wear). Tariffs with or without excess available as an option.
MACHINE TYPE	All	All
REGULAR MAINTENANCE*	YES	YES
REPAIR COST	NO	YES
DEDUCTIBLE	NO	Option: €0, €190, €490

*the list price stated by AGCO refers solely to the extended warranty and doesn't include maintenance.

MASSEY FERGUSON OFFERS A COMPREHENSIVE AND EFFICIENT RANGE OF SERVICES

MASSEY FERGUSON 24/7 CUSTOMER HOTLINE

Your Massey Ferguson dealers are always by your side to make sure your Massey Ferguson machine is Always Running.

In case you need any support on your machine simply call your certified service centre 24/7 on the emergency hotline. Service available in Denmark, France, Germany, Italy, Norway, Poland, Spain, UK and Ireland.

24/7 HOTLINE +800 8700 365 7

MASSEY FERGUSON
EXPERIENCE



PARTS & SERVICE

IT'S ALL ABOUT A LIFETIME OF SUPPORT

Buying, owning and maintaining farm machinery can be complex, so having absolute peace of mind that you have great back-up and support is a hugely important consideration. As a Massey Ferguson customer you are assured of personalised, responsive and friendly support from our network of expert dealers who truly understand your business.

There's no cut-off time for Parts and Service because a machine may be out of service. We're available to you throughout your ownership of your Massey Ferguson machine.

We take great pride and responsibility in every machine we sell and we make it our mission to keep your machinery running reliably, every time you turn the key.



“ I want daily maintenance to be quick and easy so I can spend more time with my family. ”

THE MF 5700 M HAS BEEN DESIGNED TO PROVIDE FAST, STRAIGHTFORWARD, EASY AND COST-EFFECTIVE ROUTINE MAINTENANCE.

We have combined practicality with style to ensure daily maintenance is speedy, straightforward and simple, taking the stress out of maintaining your tractor, getting you to the field earlier for greater productivity and giving you some free time. With a Massey Ferguson MF 5700 M Series tractor, time spent in the yard preparing for the day ahead is kept to a minimum.



Engine air filter is easy to access and clean.



Front axle and slim waist bonnet design make oil dipstick and filter access easy.

OPTIONS & ACCESSORIES

Today's farming demands machinery that is optimised to your business. Designed to tailor your Massey Ferguson machine to your needs, we offer a wide range of options and accessories – from loaders, weights, extra spool valves and hydraulic flowrates. For your ultimate comfort there are seat upgrades, sound systems, drinks coolers and much more.

Everything we offer has been scrutinised by our engineers from all perspectives – optimum compatibility with your machine, safety, durability and performance. You'll get expert service from your Massey Ferguson dealer who has all the necessary installation tools and knowledge at their fingertips.



Easy access to remove the cab air filter for cleaning.



Cooling package is easily accessible to make cleaning faster and easier.

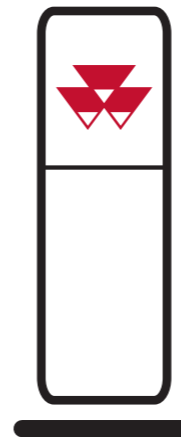
MFservices

ALWAYS BY YOUR SIDE TO INCREASE YOUR **PROFIT AND EFFICIENCY**

WELCOME TO MF SERVICES – EVERYTHING YOU NEED TO SUPPORT THE OPERATION OF YOUR MF 5700 M TRACTOR.

Accessible and adaptable, MF Services will help you control running costs, budgeting and business planning - ensuring each machine's operating hour is a success and giving you the freedom to focus fully on the core business of farming.

This comprehensive suite of service-related-products makes it easier than ever to own and operate Massey Ferguson farm equipment.



MASSEY FERGUSON DEALER NETWORK

Your MF Dealer represents the best farm machines expertise in your area. You can always turn to your dealer and receive the best service from sales, maintenance, repair and spare parts to the purchase of a new piece of equipment.

MORE THAN 4,700 SERVICE & REPAIR POINTS WORLDWIDE



MASSEY FERGUSON GENUINE PARTS

REPRESENTS THE BEST GUARANTEE OF SAFEGUARDING THE VALUE OF YOUR NEW MF 5700 M OVER TIME, PROTECTING IT FROM UNPLANNED DOWNTIME.

Choose from an extensive range of accessories including lubricants, AdBlue, care kits, cab accessories and much more. All accessories are available for purchase exclusively from your MF Dealer.

Using the smartphone app "AGCO Parts Books to go", you can find MF spare parts quickly and easily and order them directly. The app is available for download in the App Store and in the Google Play Store. Your personal access data is available from your MF Dealer.



AGCO FINANCE

PROVIDES THE PERFECT FINANCING ARRANGEMENT FOR YOUR BUSINESS.

AGCO Finance is the integrated financial services arm of Massey Ferguson offering tailor-made solutions to your own farm, which includes Leasing, Loan facilities, Hire purchase, Full service packages and Contract hire including the financing of MF Care extended warranty contracts.



MASSEY FERGUSON COLLECTION

NOW YOU CAN LOOK AS STYLISH AS YOUR MASSEY FERGUSON.

Looking for a cap to match your MF 5700 M, or a stylish and durable overall to keep working? We have an exclusive range of high quality products to suit you, your farming activity, your family and your lifestyle.

To find out what we have available please login into our online Shop:

Shop.MasseyFerguson.Com

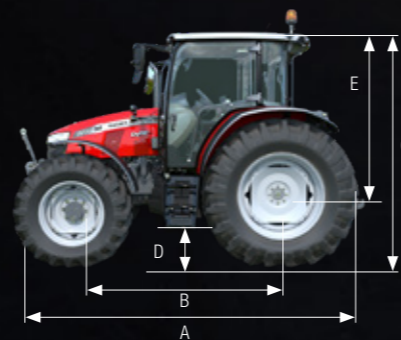
For the above support packages, country terms and conditions apply. Please note all packages may not be available in all markets.

Please check with your local MF Dealer/Distributor.

MAKE THE MF 5700 M YOUR OWN AND AS INDIVIDUAL AS YOUR FARM

	MF 5710-13 M 12x12	MF 5709-11 M DYNA 4
Engine		
AGCO POWER 4 cylinders, Turbo, Common rail	●	●
Memorised engine speed	●	●
Transmission		
Mechanical 12x12	●	-
Dyna-4 16x16	-	●
Powershuttle	●	-
Comfort Control	●	●
Power Control	-	●
De-clutch control on transmission lever	●	-
AutoDrive & Brake to neutral	-	○
Creepers	○	○
Large cab flat floor (2 doors, easy access)	●	●
Suspended Large cab flat floor (2 doors, easy access)	-	○
Fenders extensions	○	○
Air conditioning	○	○
High vis roof for loader operation	○	○
Dual Adjustment Steering Column (Tilting & Telescopic)	●	●
Mechanical seat	●	●
Pneumatic seat	○	○
Passenger seat	○	○
Radio/ CD / MP3/ Front Aux-in	○	○
Roof worklights (front & rear)	●	●
Additional handrails worklights	○	○
2 rear view mirrors	●	●
2 rear view telescopic mirrors	○	○
Advanced performance monitor	●	●
Toolbox	●	●

	MF 5710-13 M 12x12	MF 5709-11 M DYNA 4
Hydraulics		
Independent auxiliary pump 58 l/min	●	●
2 Mechanical spool valves	●	●
3 Mechanical spool valves	○	○
Lever linkage control (intermix)	●	-
Advanced linkage control (intermix / max height / quick soil engagement / shock absorber)	○	●
Linkage control on fender, left hand side	-	○
Linkage control on fenders, both sides	●	●
Front linkage	-	○
PTO		
Independent PTO	●	●
Electro hydraulic PTO clutch	●	●
In cab PTO speed selection	●	●
Front axle		
4WD	●	●
Electro hydraulic diff lock	●	●
Front fenders*	○	○
Pivoting front fenders	○	○
Additional equipment		
Hydraulic trailer brake (dual line)	●	●
Pneumatic trailer brake (dual line)	○	○
Pneumatic trailer brake (dual line) + Hydraulic line	○	○
Isolator switch	●	●



DIMENSIONS

		MF 5710 M/ MF 5711 M 12x12	MF 5709 M/ MF 5710 M/ MF 5711 M DYNA-4	MF 5712 M/ MF 5713 M 12x12
A	Overall length from front weight frame to rear linkage arms	mm	4,305	4,305
B	Wheelbase	mm	2,430	2,500
C	Height to top of roof (standard/Visio)	mm	2,650*	2,730**
D	Maximum ground clearance [†] (remove 80mm for pick-up hitch)	mm	480	520
E	Height to top of roof (standard/Visio) from rear axle	mm	1,949	
	Width (min / max)	mm	1,380-1,925	1,795-2,587
	Turning circle - external diameter, less brakes	m	8.3	8.4

* 16.9 R 34 tyres ** 18.4 R 38 tyres [†]420/85R38 tyres

- KEY**
- Standard specification
 - Optional
 - Not available

Every effort has been made to ensure that the information contained in this publication is as accurate and current as possible. However, inaccuracies, errors or omissions may occur and details of the specifications may be changed at any time without notice. Therefore, all specifications should be confirmed with your Massey Ferguson Dealer or Distributor prior to any purchase.

	MF 5710 M 12x12	MF 5711 M 12x12	MF 5712 M 12x12	MF 5713 M 12x12	MF 5709 M Dyna 4	MF 5710 M Dyna 4	MF 5711 M Dyna 4
Engine Performance							
Nominal hp (kW) power @ 2200 rpm	100 (77)	110 (82)	120 (90)	130 (97)	90 (68)	100 (77)	110 (82)
Max hp (kW) power @ 2000 rpm	105 (80)	115 (86)	125 (93)	135 (101)	95 (71)	105 (80)	115 (86)
Max torque @ 1500 rpm	440	460	520	545	405	440	460
Engine							
Type/Capacity/no. of Cylinders	AGCO POWER 4.4 Liters, 4 cylinders						
Technology	Electronic injection, Common rail, 4 valves per cylinder, DOC + SCR						
Transmission							
Type/ No. of gears	12x12			Semi Powershift 16x16			
Gears/ Ranges	6x2			4x4			
Shuttle							
Min Speed @ 1400 rpm	1.26		1.31		Power Shuttle (Power Control Lever & Comfort Control) + Brake to Neutral (optional)		
Optional creeper gears	24x24			32x32			
Min Speed @ 1400 rpm* with creeper	0.09			0.10			
Power Take-off							
Operation and control	Independent/Electro hydraulic control						
Standard PTO speeds	540 / 540Eco		540 / 1000		540 / 540Eco		
Optional PTO speeds	540 / 1000 // 540/540Eco/1000		540 / 540Eco/1000 // 540 / 540Eco		540 / 1000 // 540/540Eco/1000		
PTO speed @ engine rpm	540 & 1000		2000				
PTO speed @ engine rpm	540 Eco		1550				
PTO shaft							
Standard	6 splines						
Optional	6 & 21 splines						
Hydraulics							
Max oil flow - Stage 1	33 l/min supplying steering brakes, diff lock, PTO, 4WD						
Standard max oil flow - Stage 2	58 l/min supplying spool valve and linkage						
Optional max oil flow - Stage 2	58 l/min supplying rear linkage + 42 l/min supplying spool valve The two pumps can be combined to supply 100 l/min to spool valves (eg : Loader)						
Combined flow control	Fully automatic (Electrical switch in Cab)						
Max pressure	200						
Standard spool valves / Optional spool valves	2 / 3						
Rear linkage							
Maximum lift capacity	4,300		5,200		4,300		
Lower links	Hook ends (cat 2)		Hook ends (cat 3)		Hook ends (cat 2)		
Brakes							
Type	Electro hydraulic / Oil cooled						
Rear tyres							
Standard	420/85 R 34		420/85 R 38		420/85 R 34		
Optional	460/85R34 - 480/70 R34 - 540/65R34 340/85 R 38 - 420/85 R 38 480/70 R 38 - 540/65 R 38		460/85 R 38 - 520/70 R 38 - 600/65 R 38		460/85R34 - 480/70 R34 - 540/65R34 340/85 R 38 - 420/85 R 38 480/70 R 38 - 540/65 R 38		
Capacities							
Fuel tank capacity	153				160		
AdBlue® tank capacity	18						
Weight							
4WD**	4,070		4,230		4,400		4,500

- KEY**
- ISO TR14396
 - * Manufacturer's testing
 - ** Standard configuration with full fuel tanks, an operator - 75 kg and the smallest tyres

**STRAIGHTFORWARD
EFFICIENCY**





www.MasseyFerguson.co.uk

www.facebook.com/masseyfergusonUK

[Twitter.com/MF_EAME](https://twitter.com/MF_EAME)

[Instagram.com/MasseyFergusonGlobal](https://www.instagram.com/MasseyFergusonGlobal)

www.YouTube.com/MasseyFergusonGlobal



MASSEY FERGUSON® is a worldwide brand of AGCO.
© AGCO SAS. 2021 | A-A-17337 | English



MASSEY FERGUSON